

# QL.DSR

## QUICK LIFT DOUBLE SWIVEL RING

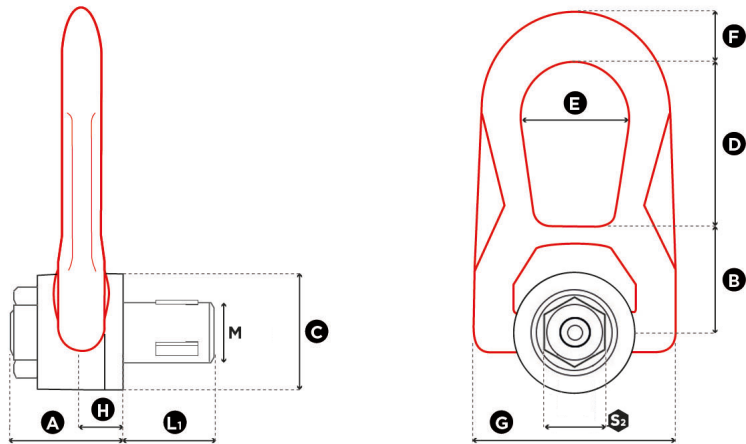
METRIC THREADS

# GradUp



# QLR

Quick Lift Ring



1 in = 25.4 mm

Reference	Diameter	SF 5:1 WLL (t)	Standard L <sub>1</sub> (mm)	Torque (Nm)	S <sub>2</sub> (mm)	A (mm)	B (mm)	C (mm)	D (mm)	E (mm)	F (mm)	G (mm)	H (mm)	Weight	
														(kg)	(lbs)
QL.DSR M 8	M 8 (x1,25)	0,25	17,5	20	18	31	30	30	38	27	14	53	9,5	0,3	0.66
QL.DSR M 10	M 10 (x1,5)	0,40	19,5	30	18	31	30	30	38	27	14	53	9,5	0,3	0.66
QL.DSR M 12	M 12 (x1,75)	0,65	23	60	27	40	40	45	53	38	17	76	13	0,9	1.98
QL.DSR M 14	M 14 (x2)	0,70	23	80	27	40	40	45	53	38	17	76	13	0,9	1.98
QL.DSR M 16	M 16 (x2)	1,05	27	100	27	40	40	45	53	38	17	76	13	0,9	1.98
QL.DSR M 20	M 20 (x2,5)	1,70	30	160	40	55	55	60	83	55	25	115	19	2,6	5.73
QL.DSR M 24	M 24 (x3)	2,50	36	180	40	55	55	60	83	55	25	115	19	2,6	5.73
QL.DSR M 27	M27 (x3)	3,00*	40	*	40	55	55	60	83	55	25	115	19	2,7	5.95
QL.DSR M 30	M30 (x3,5)	3,50	45	200	40	55	55	60	83	55	25	115	19	2,7	5.95

\* In certification process / En cours d'homologation / In Entwicklungsphase / En proceso de homologación

02.2024

# QL.DSR

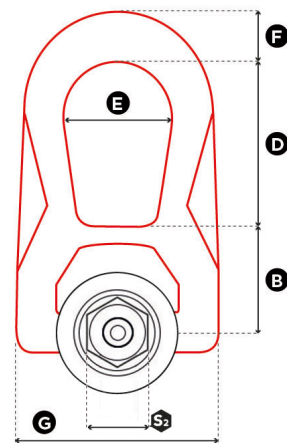
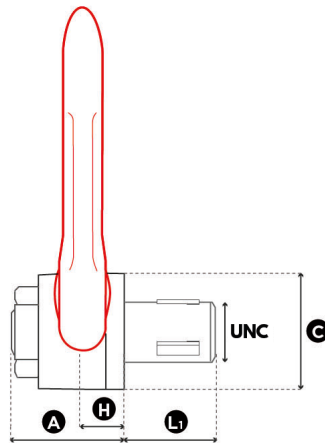
## QUICK LIFT DOUBLE SWIVEL RING

UNC THREADS

### GradUp



### QLR Quick Lift Ring



1 in = 25.4 mm

Reference	Diameter	SF 5:1 WLL (lbs)	Standard L <sub>1</sub> (mm)	Torque (ft-lb)	S <sub>2</sub> (mm)	A (mm)	B (mm)	C (mm)	D (mm)	E (mm)	F (mm)	G (mm)	H (mm)	Weight	
														(kg)	(lbs)
QL.DSR U 050	UNC 1/2"-13	1.300	23	45	27	40	40	45	53	38	17	76	13	0,9	1.98
QL.DSR U 075	UNC 3/4"-10	3.400*	30	*	40	55	55	60	83	55	25	115	19	2,6	5.73
QL.DSR U 100	UNC 1"-8	5.000*	36	*	40	55	55	60	83	55	25	115	19	2,6	5.73

\* In certification process / En cours d'homologation / In Entwicklungsphase / En proceso de homologación

02.2024

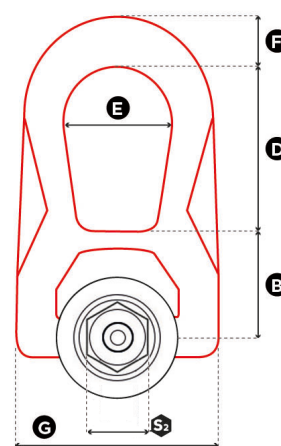
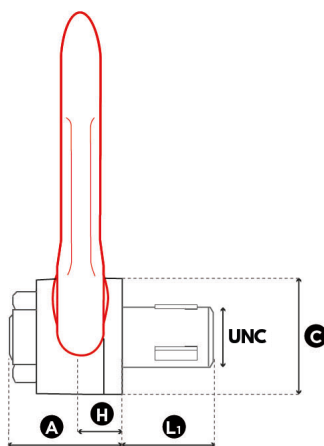
# QL.DSR

## QUICK LIFT DOUBLE SWIVEL RING

GradUp



**QLR**  
Quick Lift Ring



1 in = 25.4 mm

Reference	Diameter	SF 5:1 WLL (lbs)	Standard L <sub>1</sub> (inch)	Torque (ft-lb)	S <sub>2</sub> (inch)	A (inch)	B (inch)	C (inch)	D (inch)	E (inch)	F (inch)	G (inch)	H (inch)	Weight	
														(kg)	(lbs)
QL.DSR U 050	UNC 1/2"-13	1.300	0.91	45	1.06	1.57	1.57	1.77	2.09	1.50	0.67	2.99	0.51	0,9	1.98
QL.DSR U 075	UNC 3/4"-10	3.400*	1.18	*	1.57	2.17	2.17	2.36	3.27	2.17	0.98	4.53	0.75	2,6	5.73
QL.DSR U 100	UNC 1"-8	5.000*	1.42	*	1.57	2.17	2.17	2.36	3.27	2.17	0.98	4.53	0.75	2,6	5.73

\* In certification process / En cours d'homologation / In Entwicklungsphase / En proceso de homologación

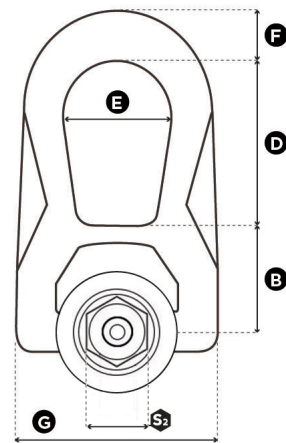
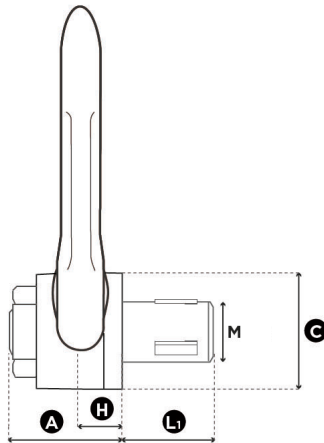
# SS.QL.DSR

## STAINLESS STEEL QUICK LIFT DOUBLE SWIVEL RING

METRIC THREADS



**QLR**  
Quick Lift Ring



1 in = 25.4 mm

Reference	Diameter	SF 5:1 WLL (t)	Standard L <sub>1</sub> (mm)	Torque (Nm)	S <sub>2</sub> (mm)	A (mm)	B (mm)	C (mm)	D (mm)	E (mm)	F (mm)	G (mm)	H (mm)	Weight	
														(kg)	(lbs)
SS.QL.DSR M 8	M 8 (x1,25)	0,25	17,5	20	18	31	30	30	38	27	14	53	9,5	0,3	0,66
SS.QL.DSR M 10	M 10 (x1,5)	0,40	19,5	30	18	31	30	30	38	27	14	53	9,5	0,3	0,66
SS.QL.DSR M 12	M 12 (x1,75)	0,65	23	60	27	40	40	45	53	38	17	76	13	0,9	1,98
SS.QL.DSR M 14	M 14 (x2)	0,70	23	80	27	40	40	45	53	38	17	76	13	0,9	1,98
SS.QL.DSR M 16	M 16 (x2)	1,05	27	100	27	40	40	45	53	38	17	76	13	0,9	1,98
SS.QL.DSR M 20	M 20 (x2,5)	1,70	30	160	40	55	55	60	83	55	25	115	19	2,6	5,73
SS.QL.DSR M 24	M 24 (x3)	2,50	36	180	40	55	55	60	83	55	25	115	19	2,6	5,73

Reference	Diameter	SF 4:1 WLL (t)	Standard L <sub>1</sub> (mm)	Torque (Nm)	S <sub>2</sub> (mm)	A (mm)	B (mm)	C (mm)	D (mm)	E (mm)	F (mm)	G (mm)	H (mm)	Weight	
														(kg)	(lbs)
SS.QL.DSR M 30	M 30 (x3,5)	3,50	45	200	40	55	55	60	83	55	25	115	19	2,7	5,95

02.2024

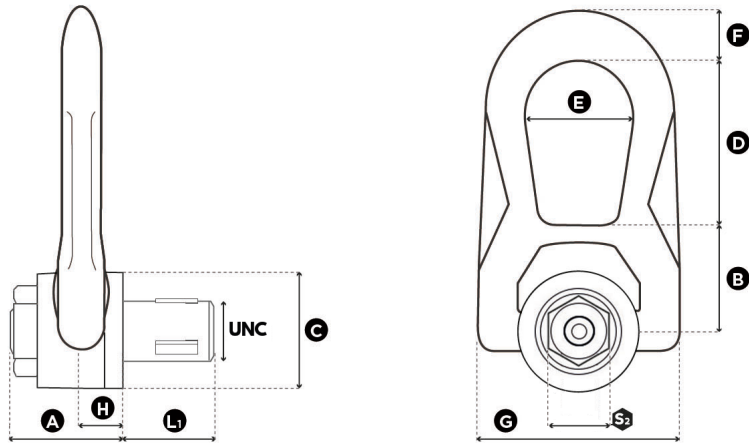
# SS.QL.DSR

## STAINLESS STEEL QUICK LIFT DOUBLE SWIVEL RING

UNC THREADS



**QLR**  
Quick Lift Ring



1 in = 25.4 mm

Reference	Diameter	SF 5:1 WLL (lbs)	Standard L <sub>1</sub> (mm)	Torque (ft-lb)	S <sub>2</sub> (mm)	A (mm)	B (mm)	C (mm)	D (mm)	E (mm)	F (mm)	G (mm)	H (mm)	Weight	
														(kg)	(lbs)
SS.QL.DSR U 050	UNC 1/2"-13	1,300	23	45	27	40	40	45	53	38	17	76	13	0,9	1.98
SS.QL.DSR U 075	UNC 3/4"-10	3,400*	30	*	40	55	55	60	83	55	25	115	19	2,6	5.73
SS.QL.DSR U 100	UNC 1"-8	5,000*	36	*	40	55	55	60	83	55	25	115	19	2,6	5.73

\* In certification process / En cours d'homologation / In Entwicklungsphase / En proceso de homologación

02.2024

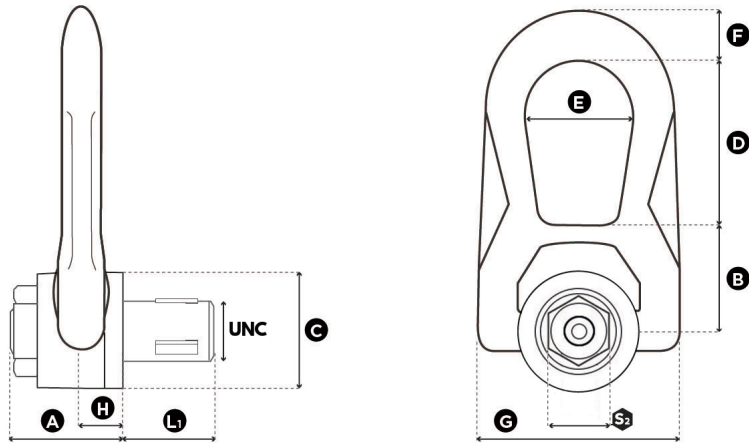
# SS.QL.DSR

## STAINLESS STEEL QUICK LIFT DOUBLE SWIVEL RING

UNC THREADS (INCH)



**QLR**  
Quick Lift Ring



1 in = 25.4 mm

Reference	Diameter	SF 5:1 WLL (lbs)	Standard L <sub>1</sub> (inch)	Torque (ft-lb)	S <sub>2</sub> (inch)	A (inch)	B (inch)	C (inch)	D (inch)	E (inch)	F (inch)	G (inch)	H (inch)	Weight	
														(kg)	(lbs)
SS.QL.DSR U 050	UNC 1/2"-13	1,300	0.91	45	1.06	1.57	1.57	1.77	2.09	1.50	0.67	2.99	0.51	0,9	1.98
SS.QL.DSR U 075	UNC 3/4"-10	3,400*	1.18	*	1.57	2.17	2.17	2.36	3.27	2.17	0.98	4.53	0.75	2,6	5.73
SS.QL.DSR U 100	UNC 1"-8	5,000*	1.42	*	1.57	2.17	2.17	2.36	3.27	2.17	0.98	4.53	0.75	2,6	5.73

\* In certification process / En cours d'homologation / In Entwicklungsphase / En proceso de homologación

02.2024