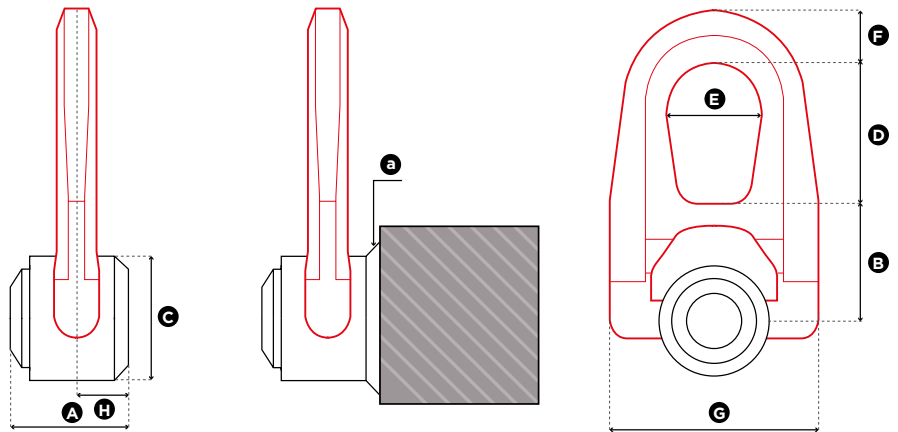
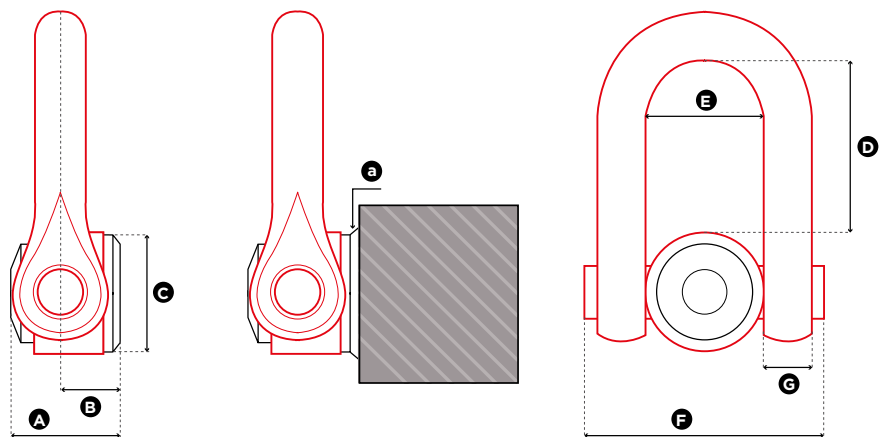


WELD-ON SWIVEL HOIST RING



1 in = 25.4 mm

| Reference | SF 5:1 WLL (t) | SF 5:1 WLL (lbs) | a (mm) | A (mm) | B (mm) | C (mm) | D (mm) | E (mm) | F (mm) | G (mm) | H (mm) | Weight | |
|-----------|----------------|------------------|--------|--------|--------|--------|--------|--------|--------|--------|--------|--------|-------|
| | | | | | | | | | | | | (kg) | (lbs) |
| WE.DSR 2 | 2,00 | 4,400 | 5 | 44 | 40 | 45 | 53 | 38 | 17 | 76 | 20 | 0,9 | 1.98 |
| WE.DSR 5 | 5,00 | 11,000 | 6 | 60 | 55 | 60 | 83 | 55 | 25 | 115 | 24 | 2,6 | 5.73 |



1 in = 25.4 mm

| Reference | SF 5:1 WLL (t) | SF 5:1 WLL (lbs) | a (mm) | A (mm) | B (mm) | C (mm) | D (mm) | E (mm) | F (mm) | G (mm) | Weight | |
|-----------|----------------|------------------|--------|--------|--------|--------|--------|--------|--------|--------|--------|-------|
| | | | | | | | | | | | (kg) | (lbs) |
| WE.DSS 10 | 10,00 | 22,000 | 7 | 74 | 44 | 70 | 104 | 73 | 149 | 33 | 5,5 | 12.13 |