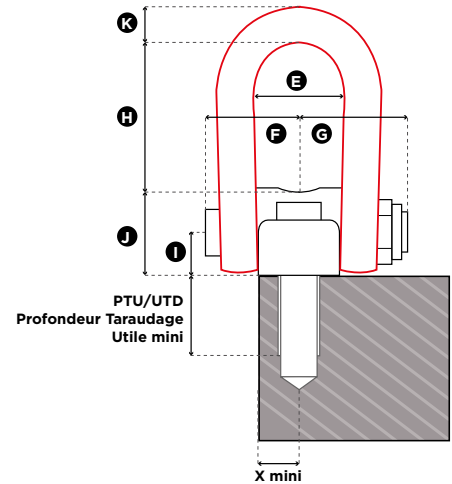
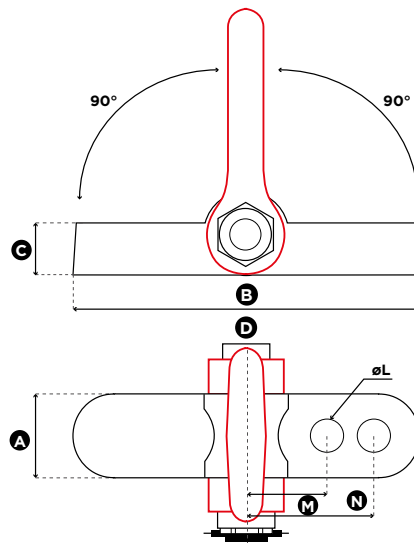


CENTRAL SAFETY SHACKLE



| | |
|-----------|---------|
| Lifting | 0 - 90° |
| Levage | 0 - 90° |
| Hebung | 0 - 90° |
| Elevación | 0 - 90° |



1 in = 25.4 mm

| Reference | SF 4:1 WLL (t) | X mini | A (mm) | B (mm) | C (mm) | D (mm) | E (mm) | F (mm) | G (mm) | H (mm) | I (mm) | J (mm) | K (mm) | Weight | |
|-----------|----------------|--------|--------|--------|--------|--------|--------|--------|--------|--------|--------|--------|--------|--------|--------|
| | | | | | | | | | | | | | | (kg) | (lbs) |
| CSS 20 | 20 | 40 | 80 | 220 | 50 | 62 | 90 | 88 | 98 | 132 | 38 | 76 | 41,0 | 12,7 | 28.00 |
| CSS 32 | 32 | 40 | 80 | 330 | 50 | 62 | 90 | 88 | 98 | 132 | 38 | 76 | 41,0 | 16,7 | 36.82 |
| CSS 55 | 55 | 53 | 105 | 540 | 85 | 191 | 184 | 160 | 170 | 267 | 85 | 175 | 79,5 | 90,0 | 198.42 |

Drilling and fastening by screws DIN 912-12.9 / Perçage et fixation par vis DIN 912-12.9 / Bohrung und Montage mit Schrauben DIN 912-12.9 / Taladro y fijación por DIN 912-12.9

1 in = 25.4 mm

| Reference | Drilling/Perçage/Bohrung/Taladro | | | PTU/UTD Useful Minimum Thread Depth (mm) | Quantity Quantité Menge Cantidad | Model Modèle Modell Modelo | Length Longueur Länge Longitud (mm) | Head / Tête / Schraubenkopf / Encima | | Torque (Nm) |
|-----------|----------------------------------|--------|--------|---|---|-------------------------------------|--|--------------------------------------|---------------------------------------|-------------|
| | Ø L | M (mm) | N (mm) | | | | | Diam (mm) | Height / Hauteur / Höhe / Altura (mm) | |
| | | | | | | | | | | |
| CSS 20 | 38 | 70 | / | 54 | 2 | M36 | 100 | 54 | 36 | 600 |
| CSS 32 | 38 | 70 | 130 | 54 | 4 | M36 | 100 | 54 | 36 | 600 |
| CSS 55 | 50 | 133 | 210 | 85 | 4 | M48 | 160 | 72 | 48 | 600 |