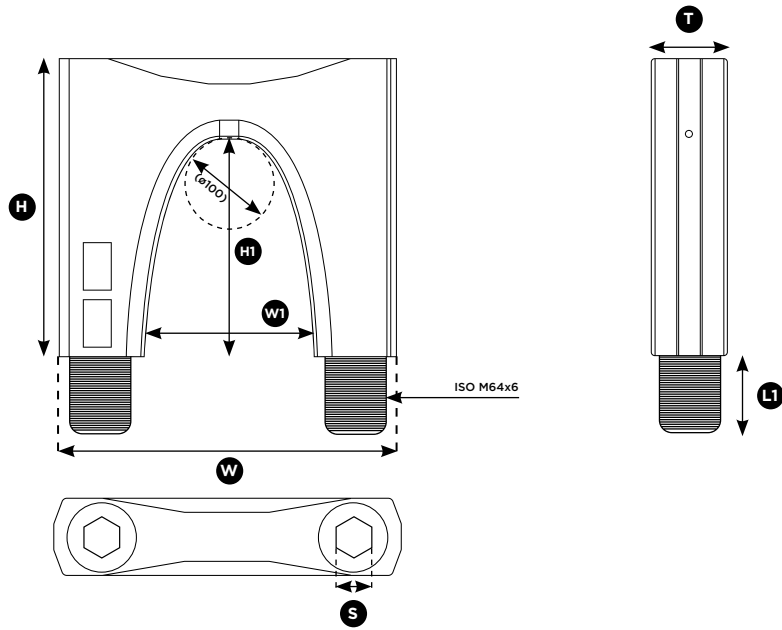


ARC

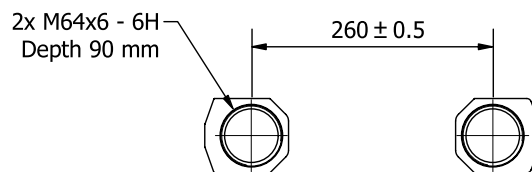
LIFTING SYSTEM FOR MOULD UP TO 50 TONS

METRIC THREADS



Réf	H (mm)	W (mm)	T (mm)	L1 / ISO M64x6 (mm)	Min drilling hole depth ISO M64x6 / 6H (mm)
ARC 50	315	360	80	85	90

H1 (mm)	W1 (mm)	S (mm)	Torque (Nm)	Weight		SF 5:1 WLL (t)	SF 4:1 WLL (t)
				(kg)	(lbs)		
230	180	36	1000	50	110.23	50,00	63,00



02.2024